



IP Phone X1/X1P

Quick Installation Guide



Fanvil Technology Co., Ltd

Tel: +86-755-2640-2199 Fax: +86-755-2640-2618 Email: sales@fanvil.com
Add: 4F, Block A, Building 1#, GaoXinQi Hi-Tech Park (Phase-II), 67th District, Bao'An,
Shenzhen, China 518101

1 Instruction

Bracket installation

Please follow the instructions in below picture to install the device.

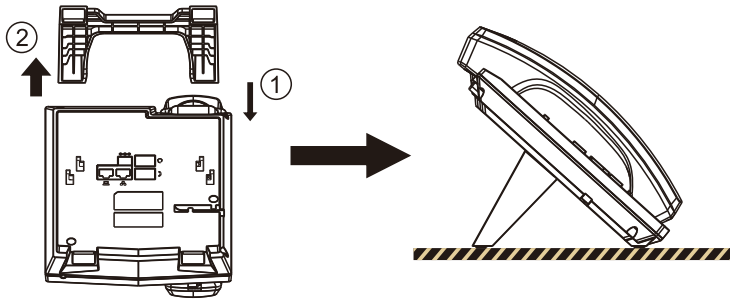


Figure 1 - Bracket installation

Connecting to the Device

Please connect power adapter, network, PC, handset, and headset to the corresponding ports as described in below picture.

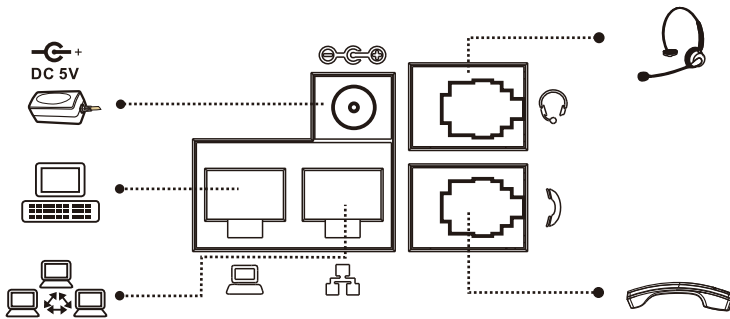


Figure 2 - Connecting to the Device

2 SIP Setting

Login the homepage of the Device

User should open the device's web portal page by entering the device's IP address in a browser. To get the device IP address, user could press the soft-menu button [Menus] -> [Status]. The default username and password are both 'admin'.

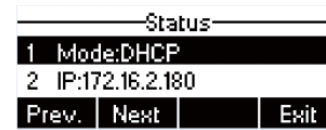


Figure 3 - Check the Device's IP Address



Figure 4 - Web Portal Login Page

Add the SIP account

Set SIP server address, port, user name, password and SIP user with assigned SIP account parameters. Select "Activate", and then click Apply to save this setting.

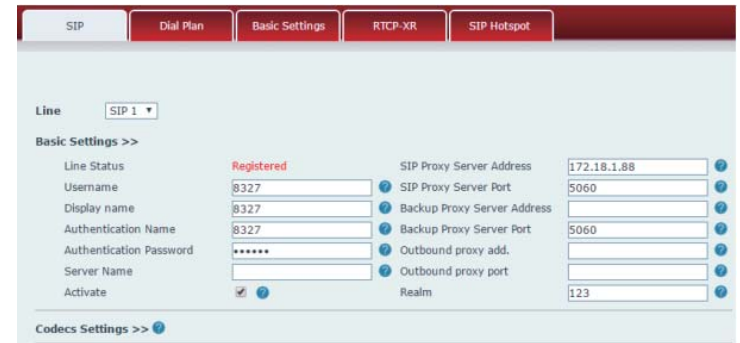


Figure 5 - SIP Setting